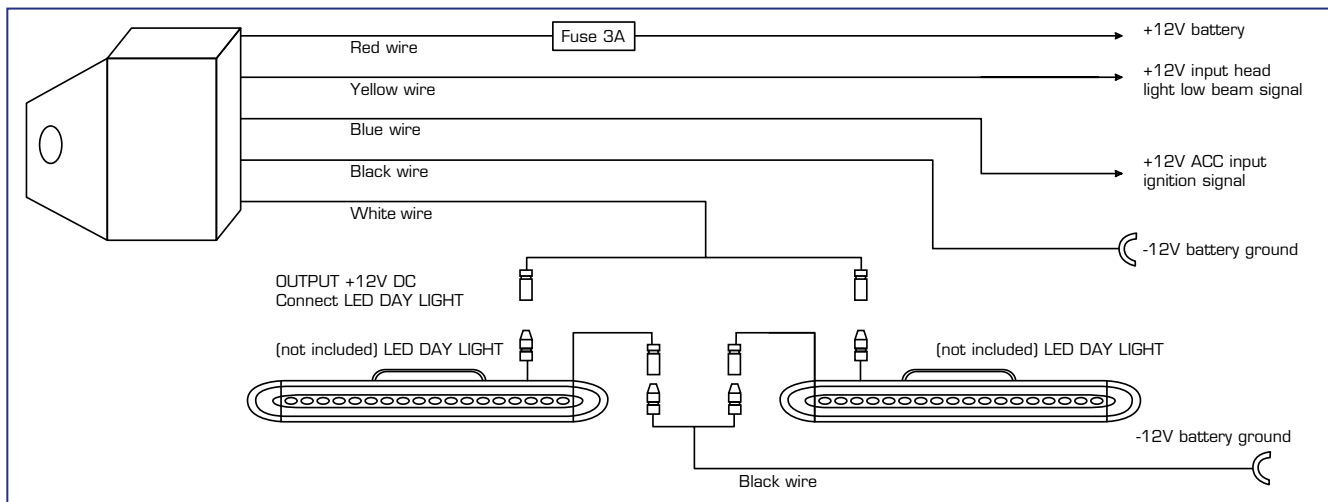


INSTALLATION MANUAL DAYLIGHT MODULE SY DRL300A

Read this before starting the installation!

AutoStyle is not responsible for consequential damages resulting from incorrect installation!



INSTALLATION FEATURES

DAY LIGHT MODULE (TFLM01) is designed for LED DAY TIME RUNNING LIGHT use (Capacity 3Amp)

- A. When the vehicle turn on the ignition, the DAY LIGHT MODULE will control to turn on the LED DAY TIME RUNNING LIGHT automatic.
- B. When the vehicle turn on the headlight, the DAY LIGHT MODULE will control to turn off the LED DAY TIME RUNNING LIGHT automatic.

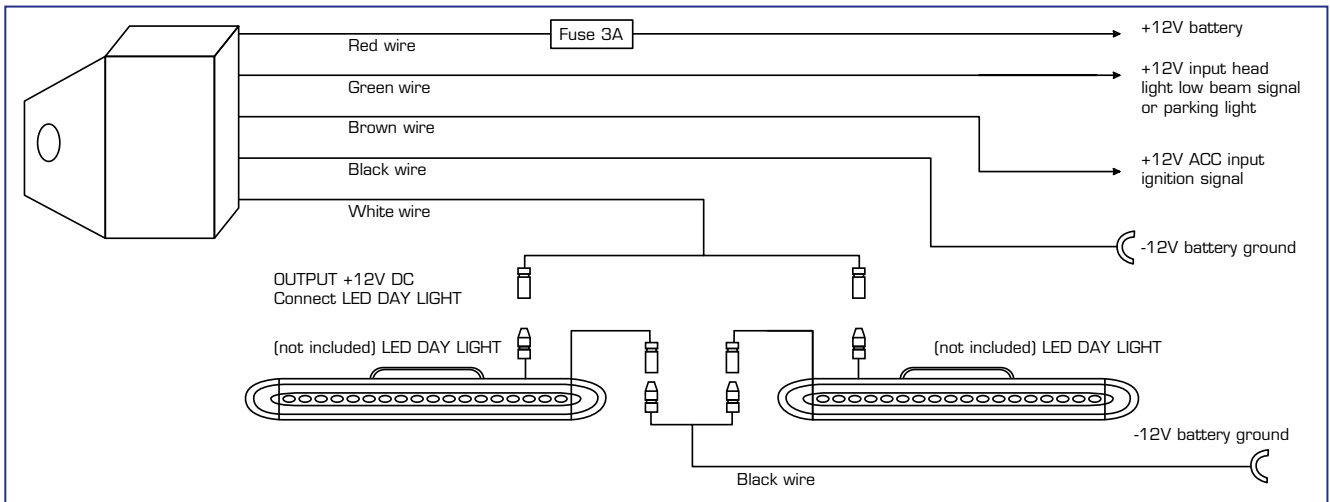
INSTALLATION MANUAL

1. Red wire – DC +12V battery
2. Black wire – GROUND or DC -12V battery
3. White wire – OUTPUT (DC +12V) LED Daytime Running Light
4. Blue wire – SIGNAL INPUT from ignition
5. Yellow wire – SIGNAL INPUT from Head Light Low Beam

INSTALLATION MANUAL DAYLIGHT MODULE SY DRL300B

Read this before starting the installation!

AutoStyle is not responsible for consequential damages resulting from incorrect installation!



INSTALLATION FEATURES

DAY LIGHT MODULE (TFLM02) is designed for LED DAY TIME RUNNING LIGHT use (Capacity 3Amp)

- A. When the vehicle turn on the ignition, the DAY LIGHT MODULE will control to turn on 100% Lighting of the LED DAY TIME RUNNING LIGHT automatic.
- B. When the vehicle turn on the headlight, the DAY LIGHT MODULE will control to turn on 50% Lighting of the LED DAY TIME RUNNING LIGHT automatic.

INSTALLATION MANUAL

1. Red wire – DC +12V battery
2. Black wire – GROUND or DC -12V battery
3. White wire – OUTPUT (DC +12V) LED Daytime Running Light
4. Brown wire – SIGNAL INPUT from ignition
5. Green wire – SIGNAL INPUT from Head Light Low Beam or Parking Light